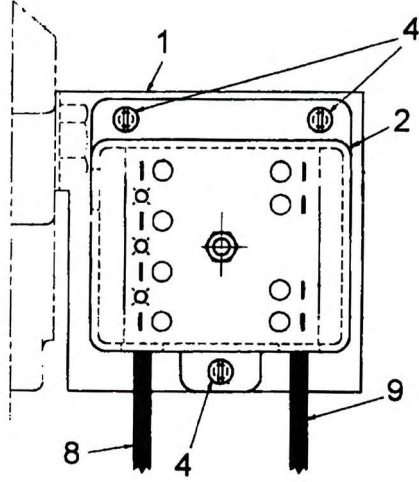
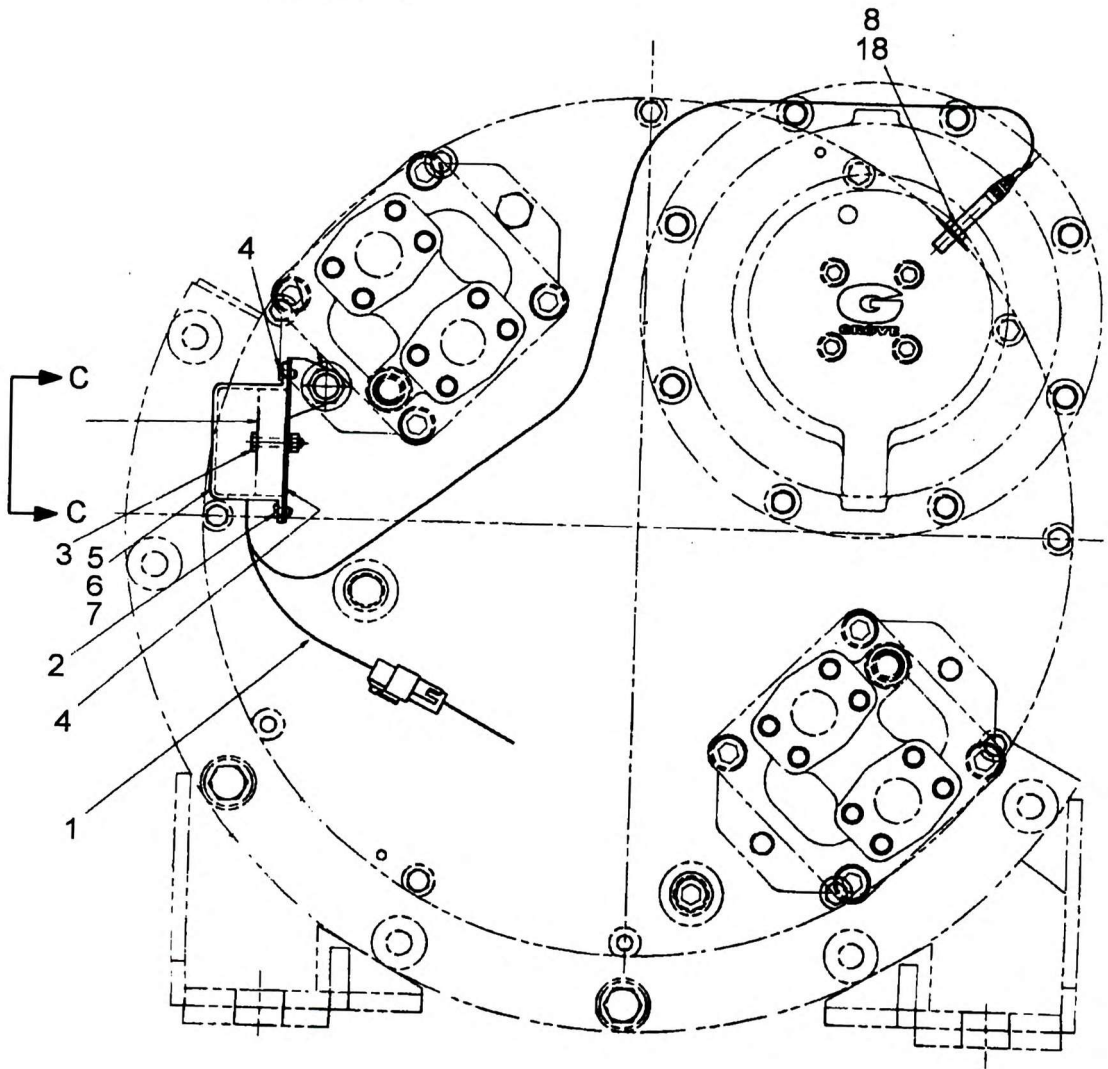


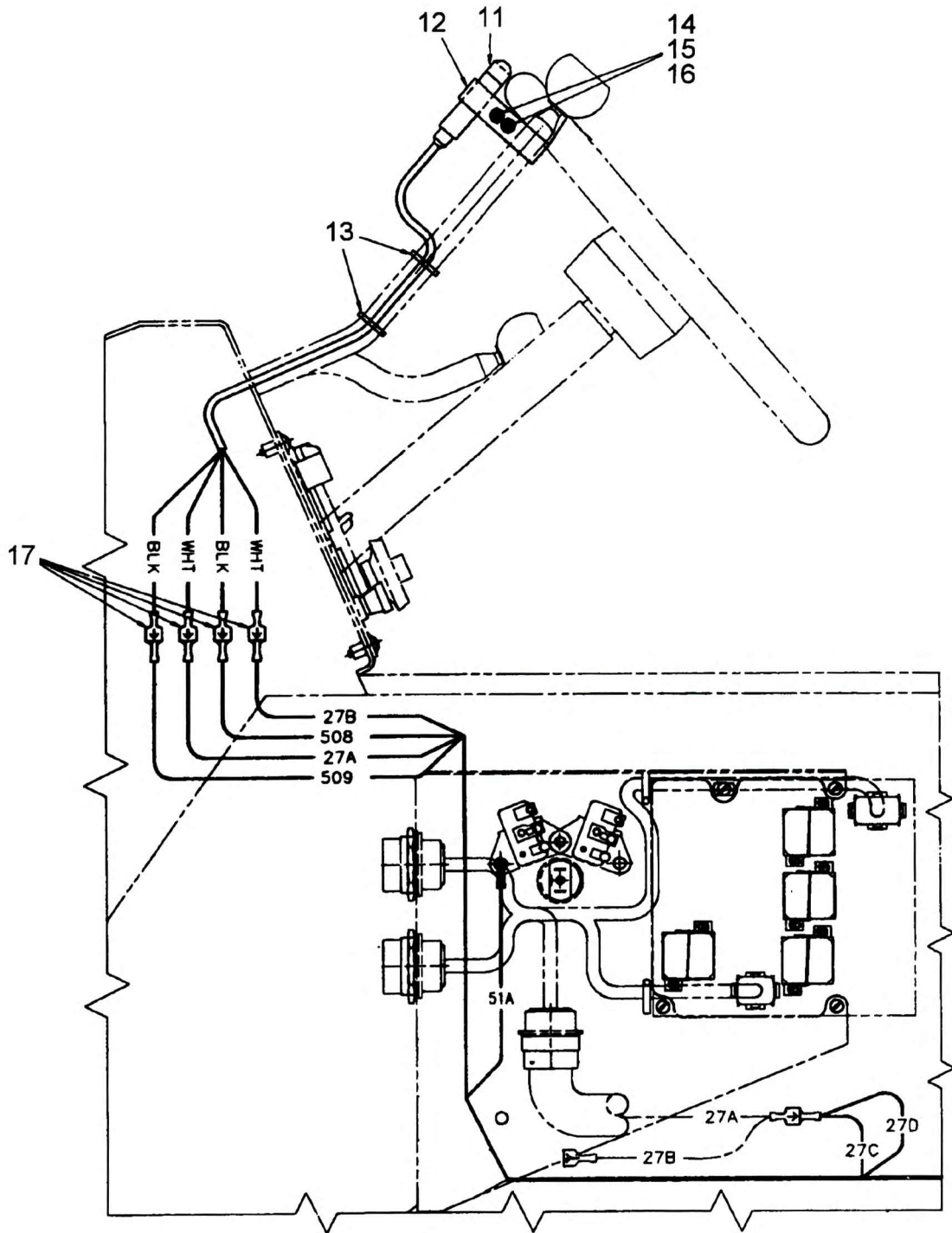
Manitowoc Crane Group



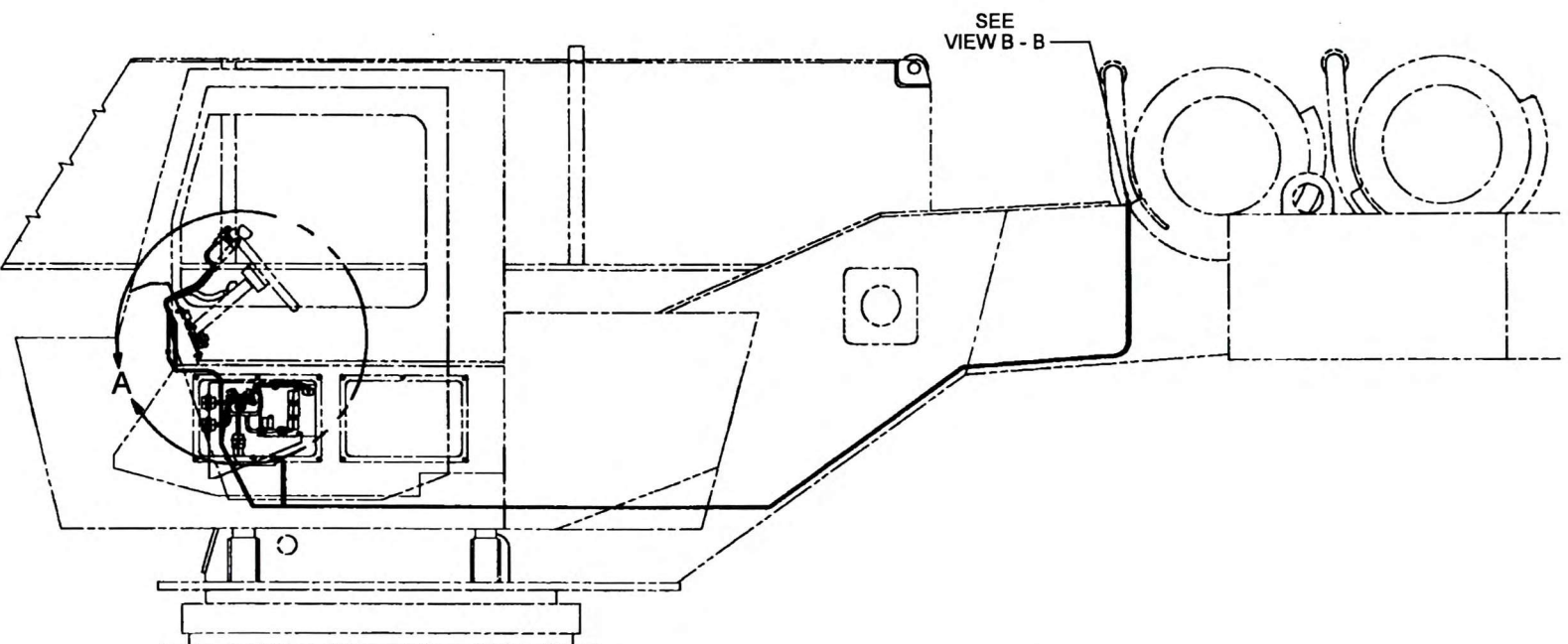
VIEW C - C



Manitowoc Crane Group



VIEW A - A



6974002145

(SHEET 1 OF 3)

Page 448